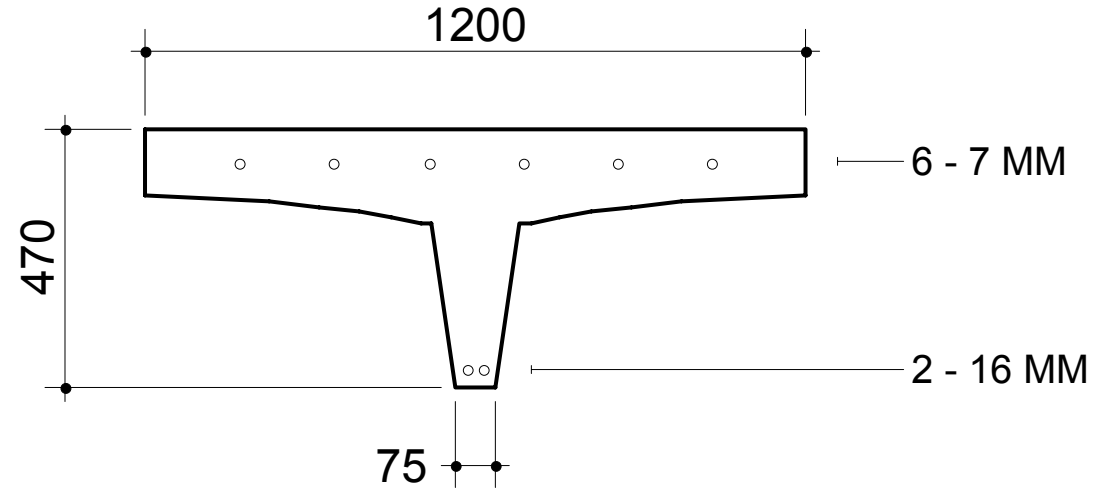


## Geometric Properties

Gross Conc.      Trans (n=7.79)

	Gross Conc.	Trans (n=7.79)
Area (mm <sup>2</sup> ) x 10 <sup>3</sup>	206.7	211.0
Inertia (mm <sup>4</sup> ) x 10 <sup>6</sup>	2110.5	2398.9
y <sub>t</sub> (mm)	112	115
y <sub>b</sub> (mm)	358	355
S <sub>t</sub> (mm <sup>3</sup> ) x 10 <sup>3</sup>	18901.0	20773.6
S <sub>b</sub> (mm <sup>3</sup> ) x 10 <sup>3</sup>	5889.8	6766.4



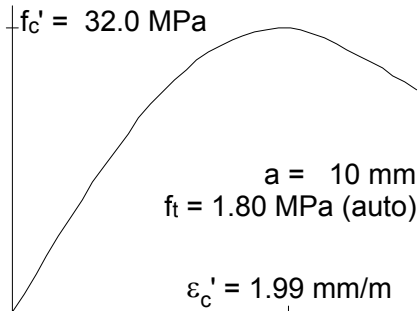
## Crack Spacing

$$2 \times \text{dist} + 0.1 d_b / \rho$$

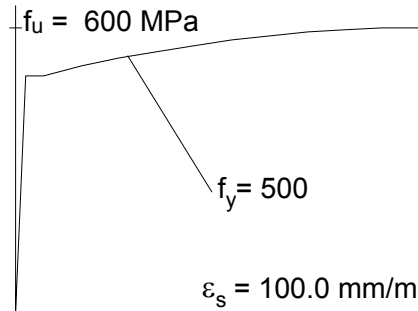
## Loading (N,M,V + dN,dM,dV)

$$0.0, 0.0, 0.0 + 0.0, 1.0, 0.0$$

### Concrete



### Rebar



All dimensions in millimetres  
Clear cover to reinforcement = 26 mm

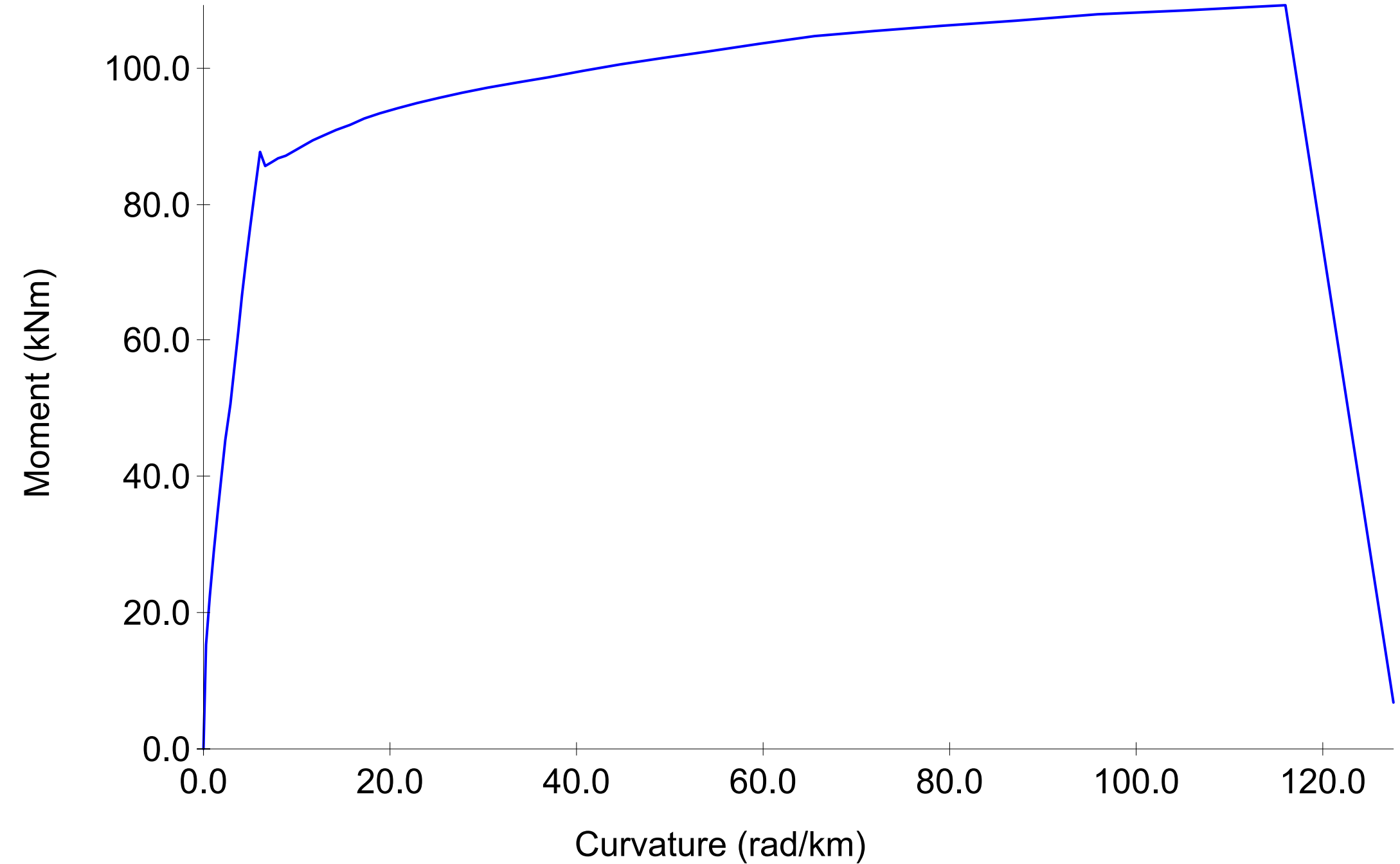


**Corcon 300-120**

**Upul**

**2003/12/3**

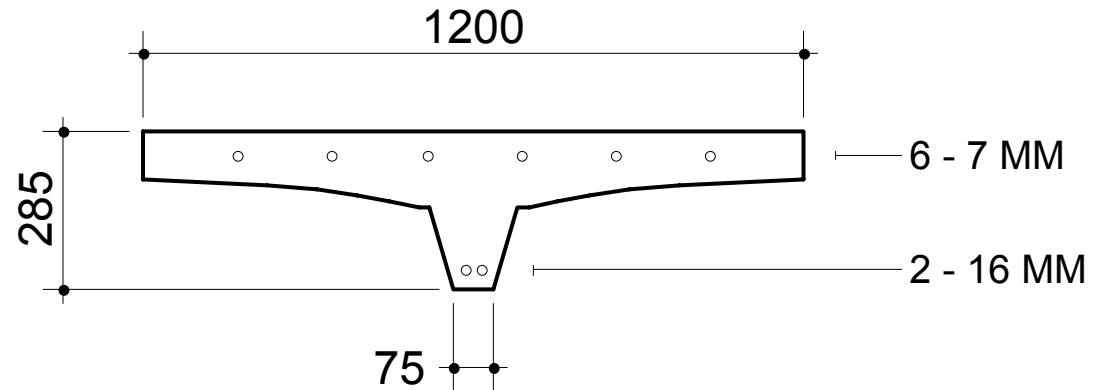
# Moment-Curvature



## Geometric Properties

Gross Conc.      Trans (n=7.79)

	Gross Conc.	Trans (n=7.79)
Area (mm <sup>2</sup> ) x 10 <sup>3</sup>	147.1	151.4
Inertia (mm <sup>4</sup> ) x 10 <sup>6</sup>	506.9	593.7
y <sub>t</sub> (mm)	73	76
y <sub>b</sub> (mm)	212	209
S <sub>t</sub> (mm <sup>3</sup> ) x 10 <sup>3</sup>	6957.7	7837.6
S <sub>b</sub> (mm <sup>3</sup> ) x 10 <sup>3</sup>	2389.2	2837.2



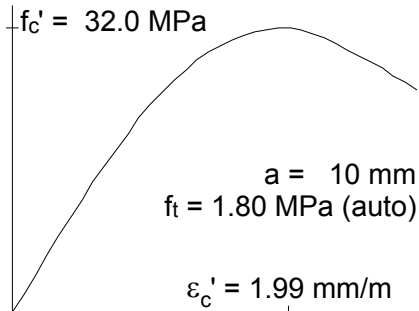
## Crack Spacing

$$2 \times \text{dist} + 0.1 d_b / \rho$$

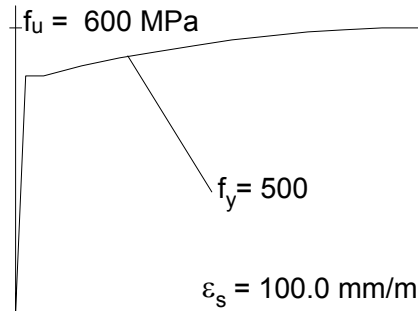
## Loading (N, M, V + dN, dM, dV)

$$0.0, 0.0, 0.0 + 0.0, 1.0, 0.0$$

### Concrete



### Rebar



All dimensions in millimetres  
Clear cover to reinforcement = 26 mm

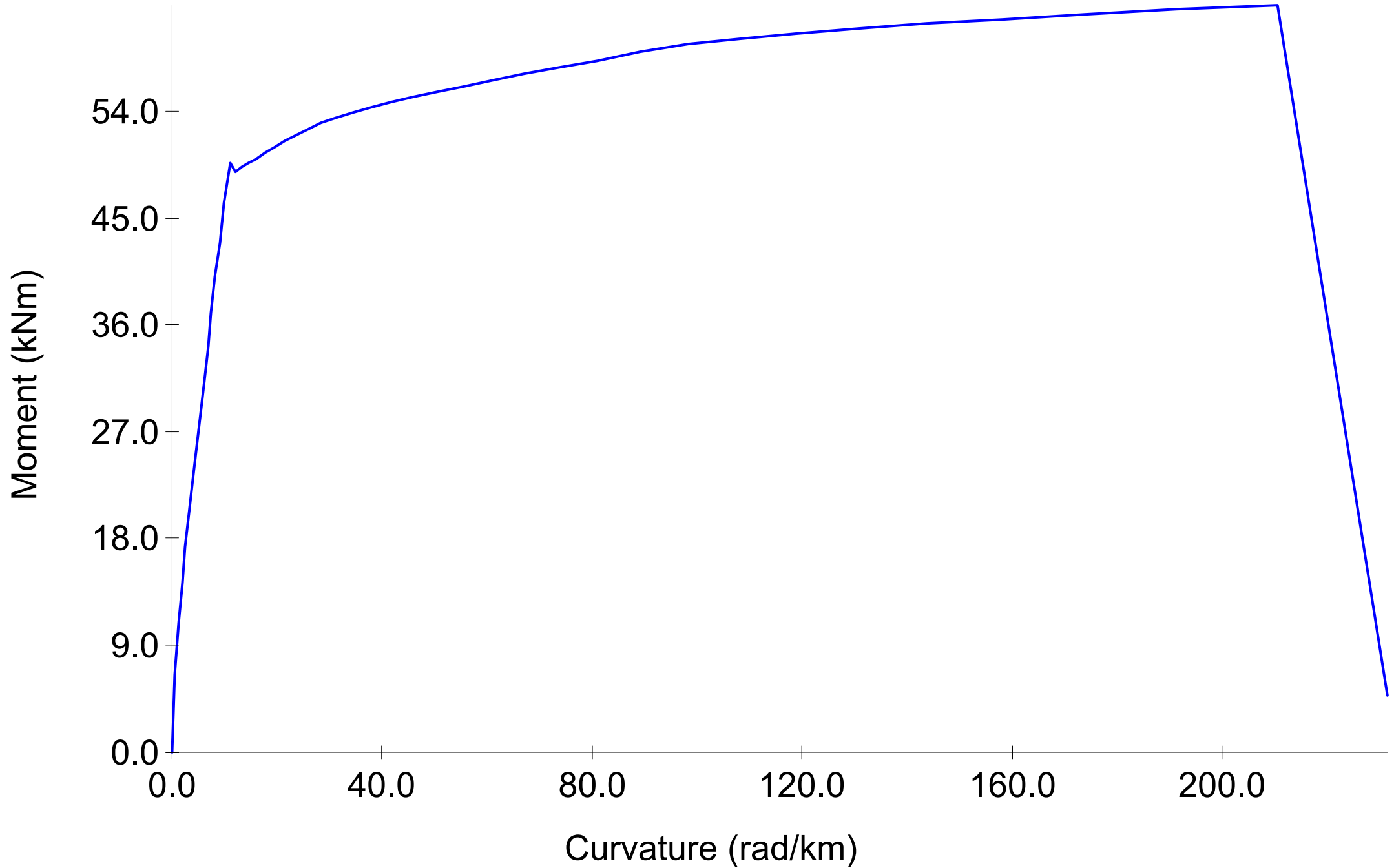


**Corcon 250-100**

**Upul**

**2003/12/3**

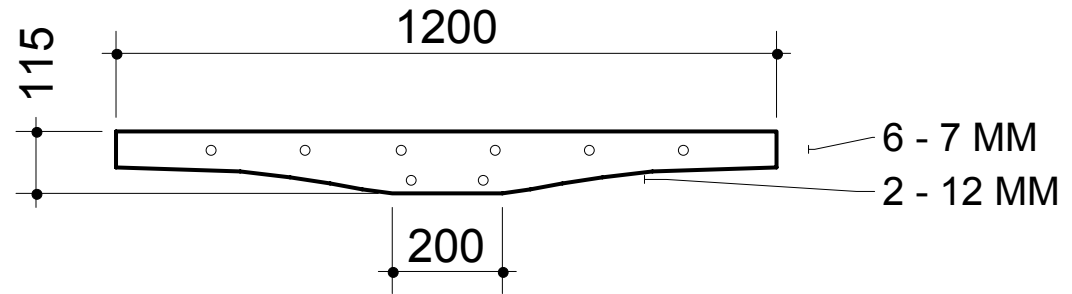
# Moment-Curvature



## Geometric Properties

Gross Conc.      Trans (n=7.79)

Area (mm <sup>2</sup> ) x 10 <sup>3</sup>	105.5	108.6
Inertia (mm <sup>4</sup> ) x 10 <sup>6</sup>	85.1	88.2
y <sub>t</sub> (mm)	46	46
y <sub>b</sub> (mm)	69	69
S <sub>t</sub> (mm <sup>3</sup> ) x 10 <sup>3</sup>	1859.9	1910.7
S <sub>b</sub> (mm <sup>3</sup> ) x 10 <sup>3</sup>	1228.4	1281.4



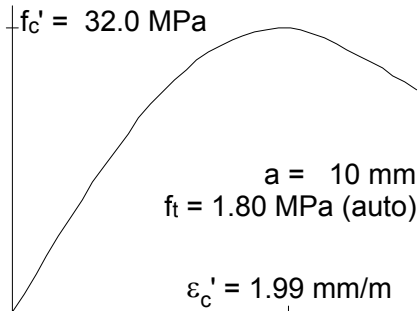
## Crack Spacing

$$2 \times \text{dist} + 0.1 d_b / \rho$$

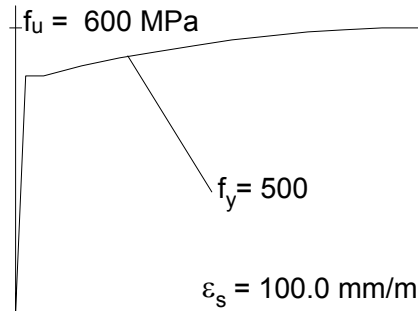
## Loading (N, M, V + dN, dM, dV)

$$0.0, 0.0, 0.0 + 0.0, 1.0, 0.0$$

### Concrete



### Rebar



All dimensions in millimetres  
Clear cover to reinforcement = 20 mm



**Corcon00-65**

**Upul**

**2003/12/3**

# Moment-Curvature

